

FOR REPAIRS

Do not attempt to service or repair this heater. If damaged or not functioning properly, return heater to W.B. Marvin. For safety reasons, servicing is only available at the factory.

When returning the heater to us, pack the heater in its original carton THEN pack that box in a larger shipping box and pad well.

Ship to:
W.B. Marvin Manufacturing Co.
Inspection Department
211 Glenn Avenue
Urbana, Ohio 43078-0230

For Warranty Repairs

Include proof of purchase and a note explaining the problem with your heater, and a return address.

We will repair or replace (at our option) your heater and return it to you. Please allow 2 weeks.

For Out-of-Warranty Repairs

Return heater along with a note explaining the problem with your heater, a phone number where you can be reached during the day, and a return address.

We will inspect your heater & call you with a quote for the cost of repairs.

W.B. Marvin is concerned about the well being of our environment, and we'd like to point out the following:



1. Many components of our products are made from recyclable materials. And, we will continue to look for new materials to help the environment.

2. The use of our heaters encourages conservation by allowing the user to conserve on central heating.

3. All shipping cartons are recyclable.

W.B. Marvin is constantly looking for new ways to help the environment. Please don't hesitate to send us your suggestions.

THREE-YEAR LIMITED WARRANTY

2-YEAR WARRANTY ON HEATING ELEMENTS

W.B. Marvin Manufacturing Co., the manufacturer, warrants to original purchasers of their electric heaters that Marvin heaters shall be free from electrical defects for a period of three (3) years (2 years for heating elements) from the provable date of purchase. The applicability of any implied warranties is limited to the same three (3) year (2 years for heating elements) period. Some states do not allow limitations on how long an implied warranty lasts, so the above limitations may not apply to you. The manufacturer is not responsible for any defect or malfunction caused by abuse or misuse occurring while the heater is in the possession of the purchaser including without limitation uses for purposes not intended by the manufacturer.

The manufacturer is not responsible for any defect or malfunction caused by repairs attempted by others, damage in transit, abusive treatment or commercial application.

In the event of the occurrence of a defect covered by this warranty, the original purchaser shall, at his expense, return the heater along with proof of purchase to the manufacturer, attention Inspection Department. If the defect is covered by this warranty, the manufacturer shall correct the electrical defect without cost to the original purchaser. Any questions concerning this warranty shall be directed to the Inspection Department of the manufacturer.

This warranty gives you specific legal rights, and you also may have other rights which vary from state to state.



The W.B. Marvin Manufacturing Company

WORKZONE OVERHEAD WORKSHOP HEATER

INSTRUCTION MANUAL WARRANTY INFORMATION



Tools Needed for Installation:

Socket Wrench (for swivel mounting)
 Phillips Head Screwdriver (for key slot mounting), Drill with 1/8" Drill Bit

Want to use your new heater in multiple locations?

Additional Mounting Brackets are available from W.B. Marvin – Brackets are \$12.95 each including shipping and handling. Send check to:
W.B. Marvin Co.
7000 Bracket
211 Glenn Avenue
Urbana, Ohio 43078

W.B. Marvin Manufacturing Company
 211 Glenn Avenue,
 Urbana, Ohio 43078-0230
 937-653-7131, Fax 937-652-1375
 Toll-Free: 1-800-733-1706
 www.wbmarvin.com



Made in the U.S.A.

Congratulations!

On becoming a new Marvin® Heater owner. Marvin manufactures high quality, safe, electric heaters designed to provide years of trouble free service. Our heaters are made right here in Urbana, Ohio. Many of our employees are second or third generation, and all of them are dedicated to giving you the finest heaters in the world.

We want you to be satisfied with your new Marvin Heater. All of our heaters are tested at the factory before shipping to insure quality.

Should you have any problem, please call our Customer Service Department toll-free at 1-800-733-1706. Your call will receive prompt and courteous attention.

We appreciate your comments about our products and look forward to hearing from you. Thanks again for choosing Marvin.

Sincerely,

Angus Randolph,
 President
 W.B. Marvin Manufacturing Company

REPLACEABLE HEATING ELEMENTS

This model heater features an exclusive, replaceable heating element system (patent pending). In the event that a heating element in this heater should break, burn-out or become inefficient, you can purchase replacement elements.

To find the nearest location of a retailer who sells Marvin® Replacement Heating Elements (Part # E1750), call our Customer Service Dept. Toll-Free between 9:00 a.m. and 5:00 p.m. EST for assistance: **1-800-733-1706**.

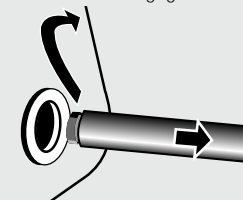
REPLACING ELEMENTS:

1. Open Guard

Remove screw located at the bottom center portion of the guard. This will allow the guard to swing open.

2. Remove old element

Grasp element near the side of the heater opposite the switch. Push the element towards the switch-side of the heater with enough pressure to allow the other end of the element to disengage from its socket.



3. Install new element

Insert either end of the element into the socket located on the switch-side of the heater. Push the element far enough into this socket to allow the other end of the element to be inserted into its socket.

4. Close Guard and re-install screw.

PLEASE READ AND SAVE THESE IMPORTANT INSTRUCTIONS

When using electrical appliances, basic precautions should always be followed to reduce the risk of fire, electric shock, and injury to persons, including the following:

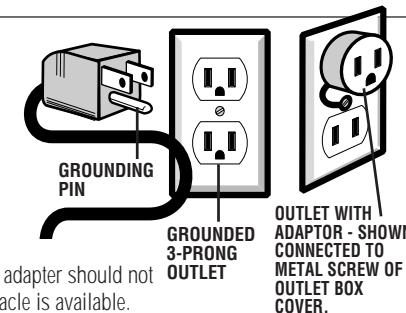
1. Read all instructions before using this heater.
2. This heater is hot when in use. To avoid burns, do not let bare skin touch hot surfaces. If provided, use handles when moving this heater. Keep combustible materials, such as furniture, pillows, bedding, papers, clothes, and curtains at least 3 feet (0.9m) from the front of the heater and keep them away from the sides and rear.
3. Extreme caution is necessary when any heater is used by or near children or invalids and whenever the heater is left operating and unattended.
4. Always unplug heater when not in use.
5. Do not operate any heater with a damaged cord or plug or after the heater malfunctions, has been dropped or damaged in any manner. Return heater to W.B. Marvin Manufacturing Co. for examination, electrical or mechanical adjustment, or repair. (See the section "For Repairs" on the back cover)
6. Do not use outdoors.
7. This heater is not intended for use in bathrooms, laundry areas and similar indoor locations. Never locate heater where it may fall into a bathtub or other water container.
8. Do not run cord under carpeting. Do not cover cord with throw rugs, runners, or

the like. Arrange cord away from traffic area and where it will not be tripped over.

9. To disconnect heater, turn controls to off, then remove plug from outlet.
10. Connect to properly grounded outlet only.
11. Do not insert or allow foreign objects to enter any ventilation or exhaust opening as this may cause an electric shock or fire, or damage the heater.
12. To prevent a possible fire, do not block air intakes or exhaust in any manner. Do not use on soft surfaces, like a bed, where openings may become blocked.
13. A heater has hot and arcing or sparking parts inside. Do not use it in areas where gasoline, paint, or flammable liquids are used or stored.
14. Use this heater only as described in this manual. Any other use not recommended by the manufacturer may cause fire, electric shock, or injury to persons.
15. Avoid the use of an extension cord because the extension cord may overheat and cause a risk of fire. However, if you have to use an extension cord, the cord shall be No. 14 AWG minimum size and rated not less than 1875 watts.
16. The wire guard is an important safety feature and must be securely closed during operation or for storage. Failure to secure the grille may result in injury and / or damage to this unit.

GROUNDING PLUG

For 120 volts. This cord has a 3-prong plug as shown. An adapter is available for connecting three-prong grounding-type plugs to two-slot receptacles. The green grounding lug extending from the adapter must be connected to a permanent ground such as a properly grounded outlet box. The adapter should not be used if a three-slot grounded receptacle is available.



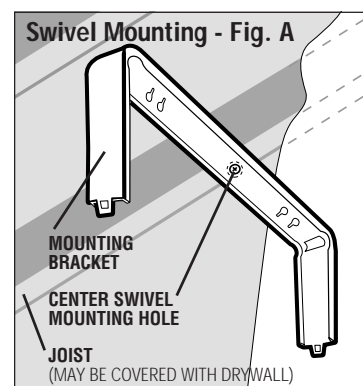
SWIVEL

MOUNTING INSTALLATION

WARNING: This unit is intended for use ONLY as a ceiling mounted heater. Mounting on a wall or sloping surface such as a roof is a risk of fire due to possible overheating of the unit or igniting nearby combustible materials.

1. Locate a desired position on your ceiling in the area to be warmed. (Heater should be at least 36" away from the nearest wall or other combustible material.) The mounting bracket must be attached to a joist. If your ceiling is finished you must first find the joist and mark the location on the ceiling.

2. Drill a 1/8" hole into the joist. Using the center hole in the mounting bracket (Fig. A), pass the bolt through the hole and place the washer on the bolt. Raise the assembly to the drilled joist hole and insert the bolt into the hole. Using a socket wrench, tighten the bolt until the bracket is snug against the ceiling.



KEY SLOT

MOUNTING INSTALLATION

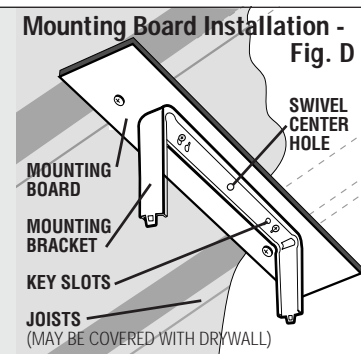
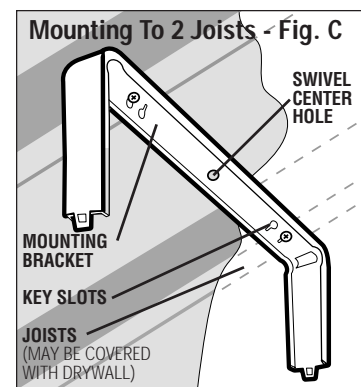
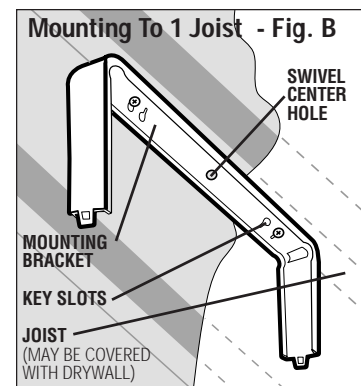
1. Locate a desired position on your ceiling in the area to be warmed. (Heater should be at least 36" away from the nearest wall or other combustible material.) The mounting bracket may be attached to a single joist (Fig. B) or span across two joists (Fig. C). Failure to mount heater to joists can result in injury and or fire hazards.

2. **If you are installing the bracket to an unfinished ceiling with exposed joists, proceed to step 3.** On a finished ceiling the joists are hidden behind the ceiling dry wall or plaster. You must locate and mark the location of the center of the joists in the mounting area. Joists are typically 1 1/2" wide and 16" or 18" apart. They usually run parallel with the narrow dimension of the room. A "Stud Finder" available at most hardware stores may help in locating the center of these hidden joists.

3. Using the mounting bracket as a template, line up one of the key slots at each end of the bracket with one or two joists and mark the slotted openings. If you cannot line up the holes in the bracket with the joists you will have to use other mounting methods. See "Swivel Mounting" or "Installing a Mounting Board."

4. Using a 1/8" drill bit, drill a hole in the center of each marked key slot. Install the two screws provided leaving about 1/4" between the head of the screw and the mounting surface. Slip the mounting bracket over the screw heads and slide the bracket to engage the screws in the slots. Tighten screws securely.

CAUTION - RISK OF FIRE: Minimum mounting distance of 24 inches from walls or combustible materials.



SUSPENDED CEILING

MOUNTING INSTALLATION

1. Select a ceiling tile in the desired location and a mounting installation option (either Swivel or Key Slot installation, see previous page for option descriptions).

2. Using the mounting bracket as a template, mark the tile with the appropriate hole location(s).

3. Construct a Mounting Board. See "Installing a Mounting Board" on the previous page. Note the length of the board should be exactly 23.75" long.

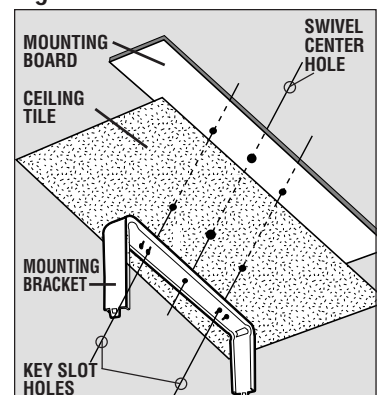
4. Remove the marked tile from the ceiling. Position the mounting board behind the tile and behind the marked hole location(s). Make sure the ends of the mounting board and the tile are aligned.

5. Drill 1/8" hole(s) through the tile and mounting board where marked.

6. Using the hardware supplied, attach the mounting bracket to the mounting board with the ceiling tile sandwiched inbetween. (See Fig. E below)

7. Reinstall assembled heater bracket/ceiling tile/mounting board in ceiling. Refer to "Attaching Heater to Mounting Bracket" on the previous page to install heater.

Suspended Ceiling Mounting Fig. E



ATTACHING HEATER TO MOUNTING BRACKET

1. Your heater is equipped with rotating arms at each end of the unit. To conserve space in shipment these arms are in line with the heater body and must be repositioned before installation. With your heater laying face down, rotate each arm slowly upward until they are perpendicular to the body. For safety reasons, once rotated, the arms cannot be returned to their original position.

2. Holding the heater by the arms (one in each hand) slide the arms onto the mounting bracket until it locks into place.

3. Plug the heater into a 120V A.C. grounded outlet. Keep the cord away from the front of the heater. Use of an extension cord is not recommended, if an extension cord must be used, it must be at least 14 AWG wire size and have a minimum rating of 1875 watts.

4. Adjust the angle and rotation of the heater to direct the heat where needed.

CAUTION: Do not adjust the heater while it is operating. The metal parts of the housing get very hot and can cause a burn. Always turn your heater off and allow time for it to cool before adjusting.

REMOVING HEATER FROM MOUNTING BRACKET

1. Unplug heater and allow to cool.
2. Push-in the two tabs on the outside of each arm.

3. Grasp both arms and simultaneously pull the unit down while holding the tabs in.
WARNING: Do not attempt to remove the heater one arm at a time as this could cause damage to the heater cabinet.

NOTE: the rotating arms on this heater will not fold flat with the body of the heater for safety reasons. Attempting to fold this heater flat could cause damage to the heater housing.

OPERATING INSTRUCTIONS

Inspect heater for damage which may have occurred during shipment. DO NOT operate if any damage is noted. Return damaged heater to retailer or factory for repair or replacement.

1. Install heater to an overhead location (SEE INSTALLATION INSTRUCTIONS)

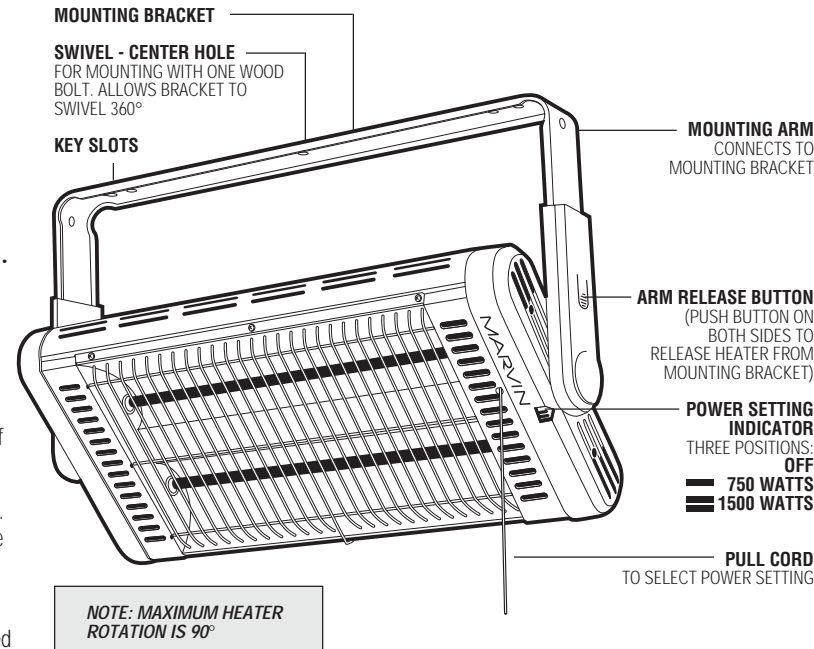
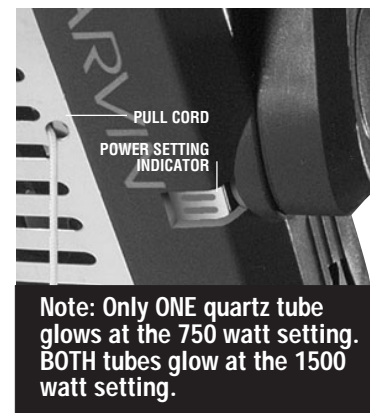
2. Plug heater into 120 Volt, 60 Hz. alternating current grounded plug. See "Important Instructions" at the beginning of this book.

3. Rotate heater to aim in desired direction. **WARNING:** do not rotate this heater while it is operating or hot. The cabinet can be very hot.

4. Set Power Setting Indicator to the desired position by pulling the pull-cord. See illustrations below.

POWER SETTING INDICATOR

- Off Position
- ▬ Position 1: 750 watts: one element
- ▬▬ Position 2: 1500 watts: both elements



CLEANING

Make sure to disconnect the plug from the wall outlet before any servicing is started. Always allow the heater to cool completely. Do not pour water on or submerge any portion of heater in water or any other liquid.

Interior and Exterior:

1. Never use any harsh or abrasive cleaners on the heater.
2. Clean exterior with a soft damp cloth and mild detergent.
3. To clean interior, first remove the heater from the mounting bracket. (See installation instructions)

Then remove the screw in the center bottom of the grille. Swing grille open - be sure to reattach the grille with the screw before operating heater again.